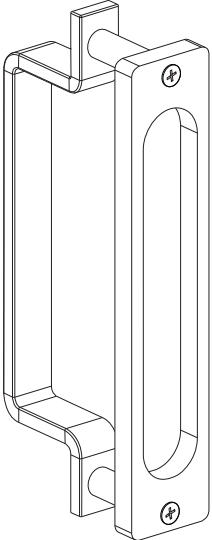
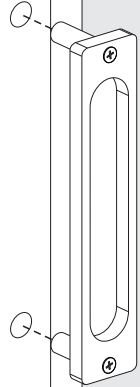
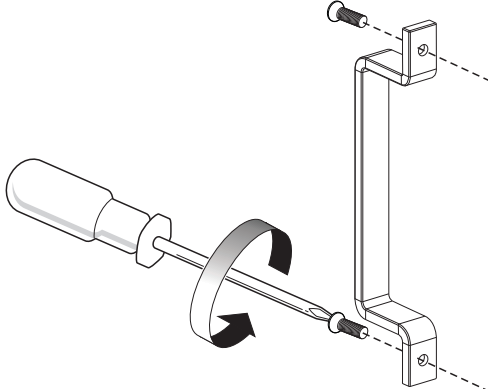
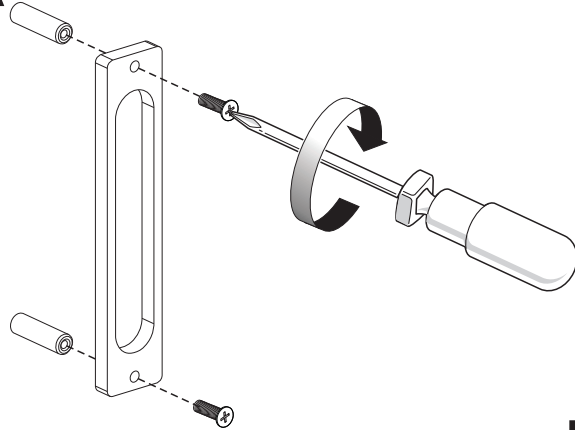


Installation Manual



(x1)

A



B

